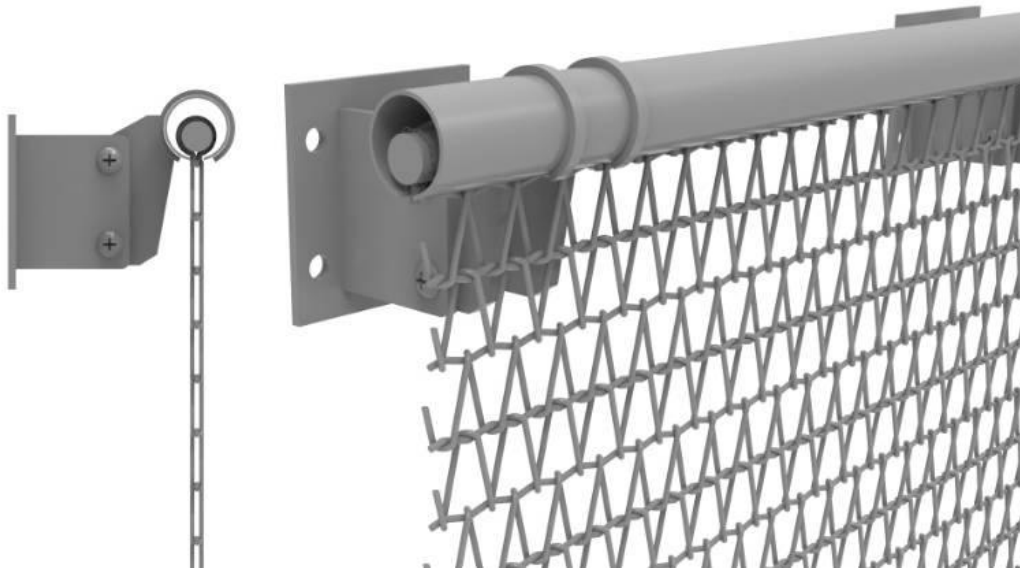




Spiral Wire Mesh Belt Installation Graphic

When install the spiral wire mesh belt, can make open holes on the top and bottom tube, the hole pitch is same as the spiral pitch, after the spiral wire mesh belt mounted to the holes, then make a steel rod go though the mesh, and tense the mesh on the top and bottom.



The other option is through metal rod on the top and bottom, and then fix the eye-bolt to the rods, finally tense the mesh on the top and bottom.



Installation example 1



Installation example 2

When the spiral wire mesh belt used as curtains to make the mesh can be slide, we can use the clamp with sliders to fix the side of mesh belt.

